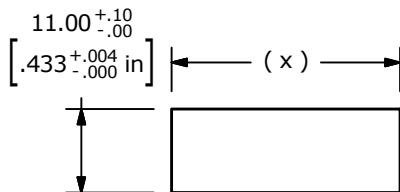
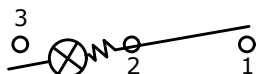
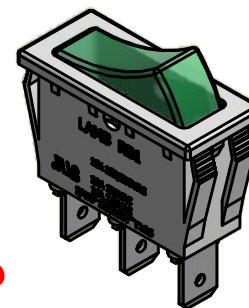
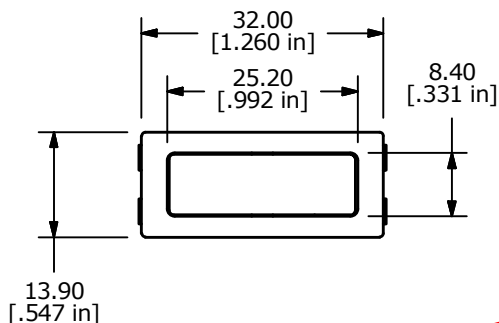


SWITCH FUNCTION	
POS. 1	POS. 2
OFF	ON
OPEN	2-1, 2-3



PANEL CUTOUT

PANEL THICKNESS	(x)	TOLERANCE
0.75 - 1.25	30.0	+/- 0.1



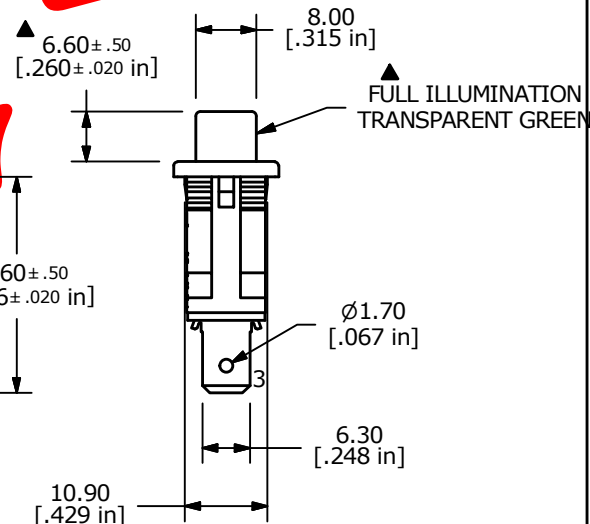
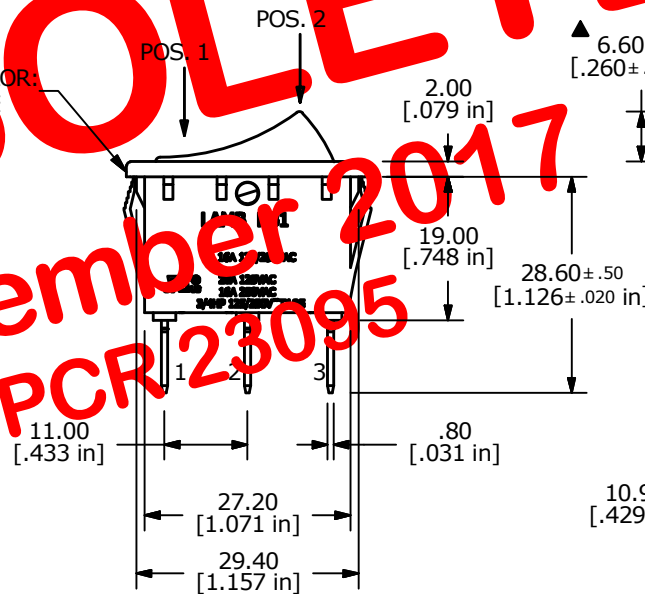
CIRCUIT: SPST

NOTE:

- DIMENSIONS IN MM [INCH]
- GENERAL TOLERANCE: X.X = ± 0.4  
X.XX = ± 0.25
- TERMINAL NUMBERS FOR REF ONLY
- CONTACT MATERIAL: SILVER
- CONTACT RATINGS:
  - ANSI/UL 1054 AND CAN/CSA C22.2 NO.55 (E194579):
    - 20A @ 125VAC [cURus]
    - 16A @ 250VAC [cURus]
    - 3/4HP 125/250VAC [cURus]
  - ANSI/UL 1054 (233821):
    - 16A @ 250VAC [CSAus]
    - 3/4HP 125/250VAC [CSAus]
  - EN 61058-1:2002 AND DIN/VDE 0630:2003-03(40017926):
    - 16(4)A 250V~ 1E4 μ 85/55 [ENEC10, VDE]
    - 10(2)A 250V~ 5E4 μ T85/55 [ENEC10, VDE]
    - 20(8)A 250V~ 1E4 μ T125/55 [ENEC10, VDE]
- CONTACT RESISTANCE: 20mΩ MAX. INITIAL
- INSULATION RESISTANCE: 100MΩ MIN. @ 500VDC
- DIELECTRIC STRENGTH: 1,000VAC FOR 1 MINUTE
- ELECTRICAL LIFE: 6,000 CYCLES [cURus]
  - 10,000 CYCLES [ENEC10, VDE]
  - 50,000 CYCLES [ENEC10, VDE]
- OPERATING TEMPERATURE: -20°C TO 55°C [cURus, CSAus]
  - 20°C TO 125°C [ENEC10, VDE]
  - 20°C TO 85°C [ENEC10, VDE]
- ▲ DENOTES CRITICAL PARAMETER
- 2002/95/EC (ROHS) COMPLIANT
- ILLUMINATION: NEON LAMP
- ▲14. ILLUMINATION VOLTAGE: 125V

OBSOLETE  
November 2017  
PCR 23095

BODY COLOR:  
WHITE



FULL ILLUMINATION  
TRANSPARENT GREEN



TITLE RB141D2000-136

A	20440	RELEASE FOR PRODUCTION	1/31/12	BGL
REV	PCR NO	DESCRIPTION	DATE	BY

SCALE	DATE	DR	DWG	REV
1:1	1/31/2012	BGL	14-RB141D2000136	A

THE INFORMATION CONTAINED IN THIS DOCUMENT IS PROPRIETARY TO E-SWITCH AND IS NOT TO BE COPIED OR TRANSFERRED